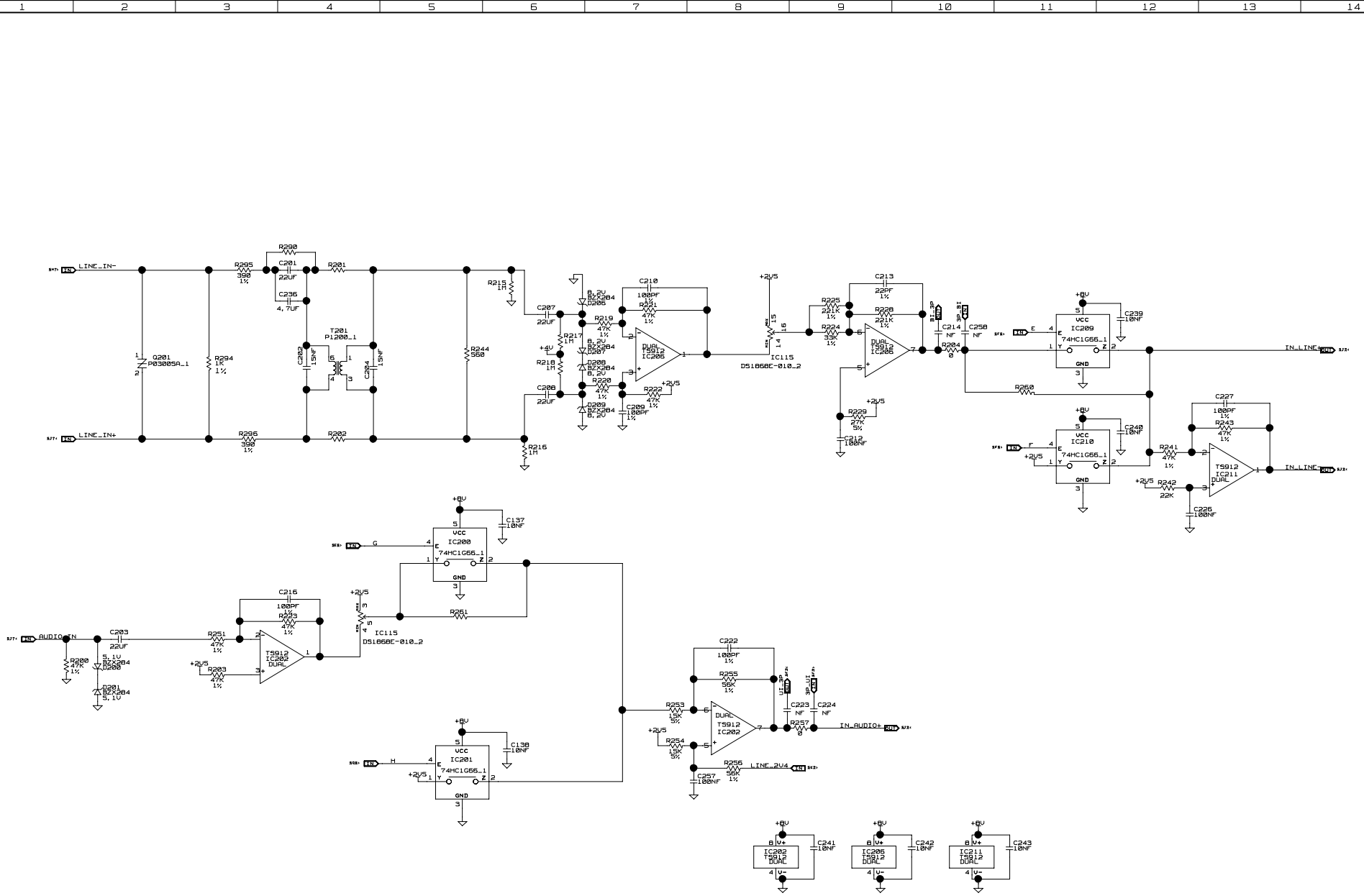


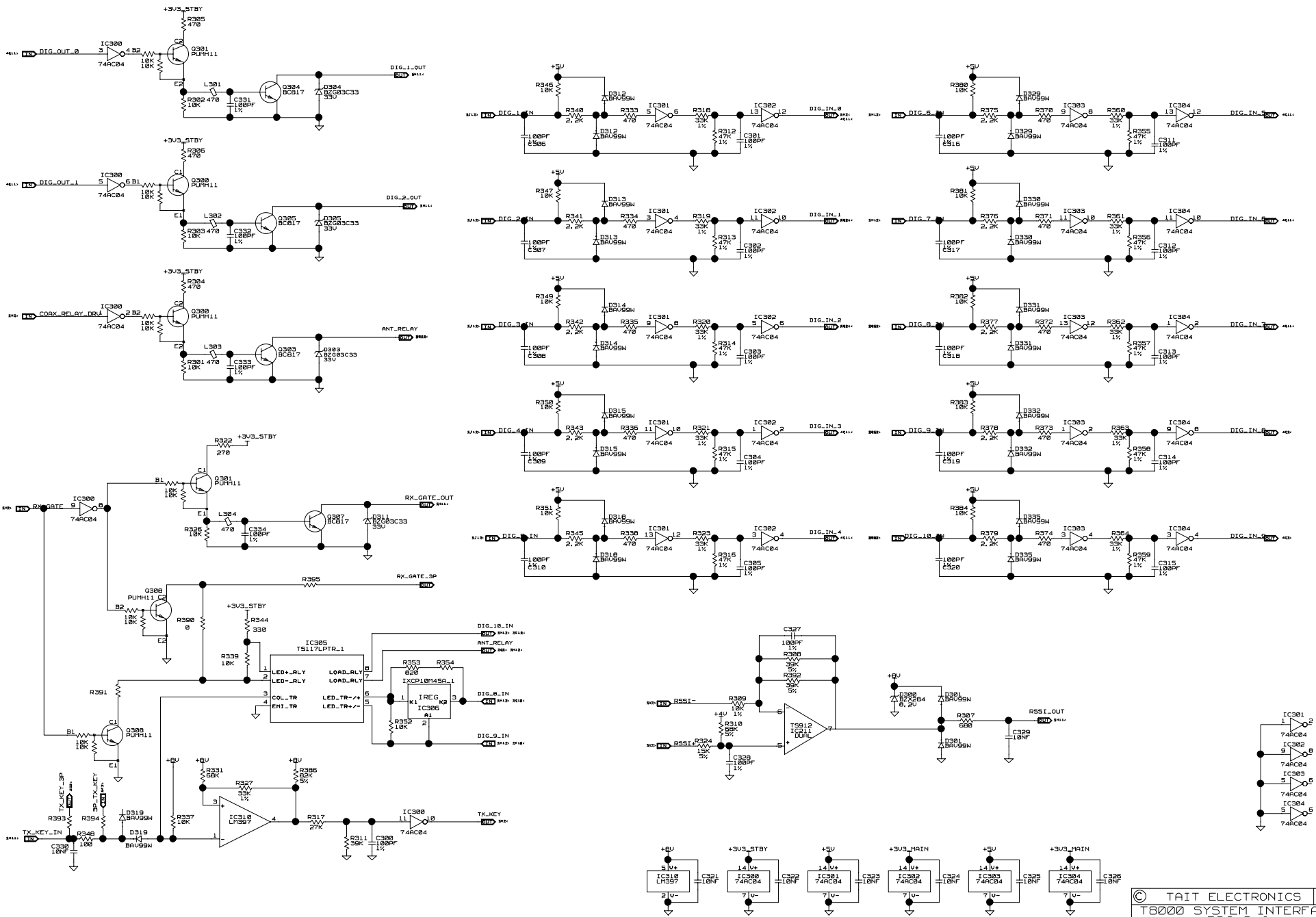
© TAIT ELECTRONICS | A1  
 T8000 SYSTEM INTERFACE  
 AUDIO OUTPUTS  
 IPN: 220-02026-02 | ISSUE: A | VARIANT NUMBER: 0  
 ENGINEER: LUCAS A | FILE NAME: 1-8-2002 | FILE DATE: 1-8-2002 | SHEET NUMBER: 1 of 5

01A	CLONED FROM 226-02227-05	PC			4/6/02
REV/155	AMENDMENTS	DRAWN	CHKD	D.O.	APUD DATE
1					
2					
3					
4					
5					
6					
7					
8					
9					
10					
11					
12					
13					
14					



© TAIT ELECTRONICS		A1
T8000 SYSTEM INTERFACE		
AUDIO INPUTS		
IPN:	ISSUE:	VARIANT NUMBER:
220-02026-02	A	0
ENGINEER:	FILE NAME:	FILE DATE:
LUCAS A	220-02026	1-8-2002
		SHEET NUMBER:
		2 of 3

010	CLONED FROM 220-00227-05	PC			4/26/02
REV/ISS	REVISIONS	DRAWN	CHKD	D.O.	APUD
1					
2					
3					
4					
5					
6					
7					
8					
9					
10					
11					
12					
13					
14					

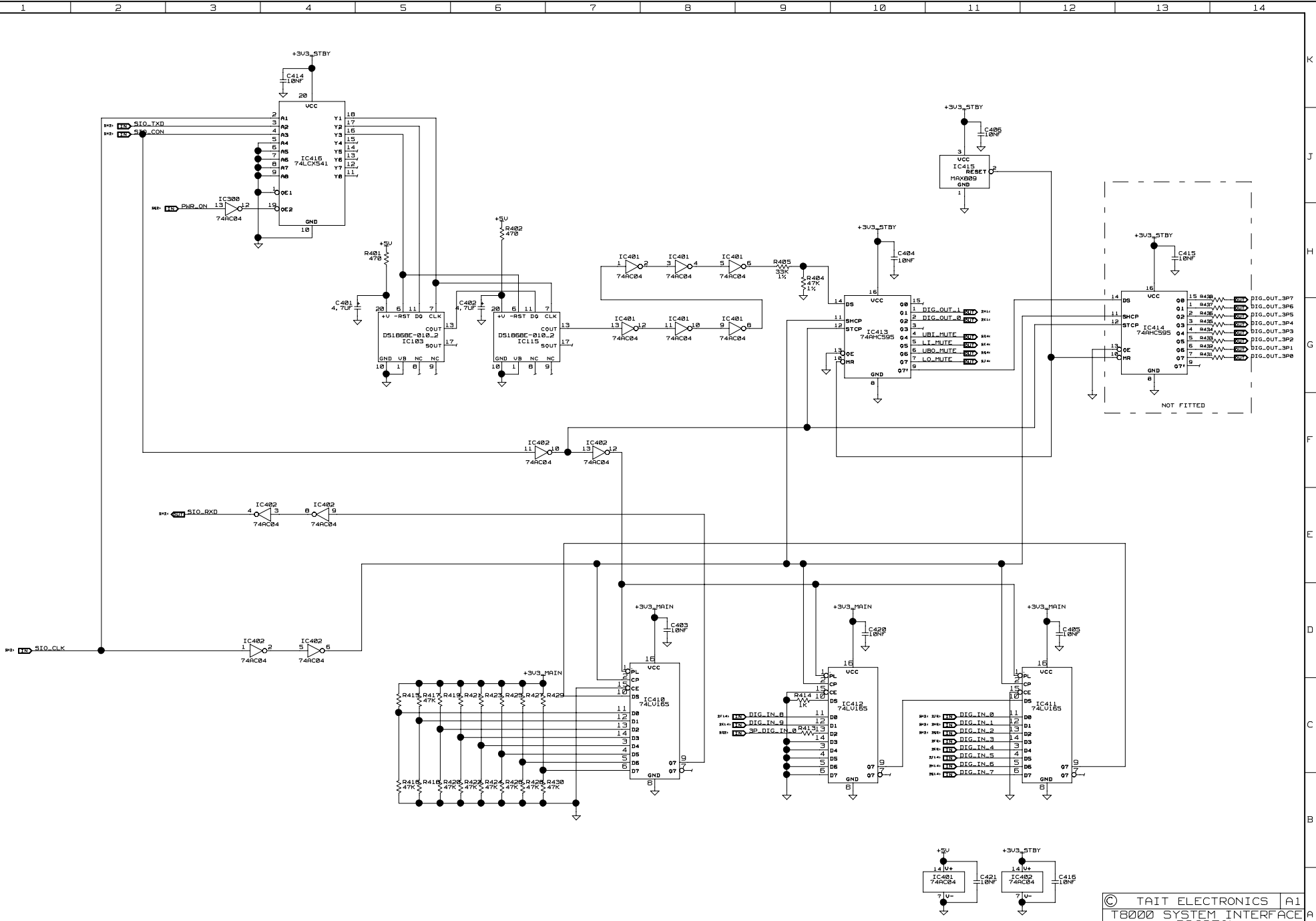


02A	CLONED FROM 220-02026-01	LA			2/8/02
01A	CLONED FROM 220-02027-05	PC			4/8/02
REV/155	AMENDMENTS	DRAWN	CHKD	D.O.	APUD DATE

© TAIT ELECTRONICS A1  
 T8000 SYSTEM INTERFACE  
 DIG I/O

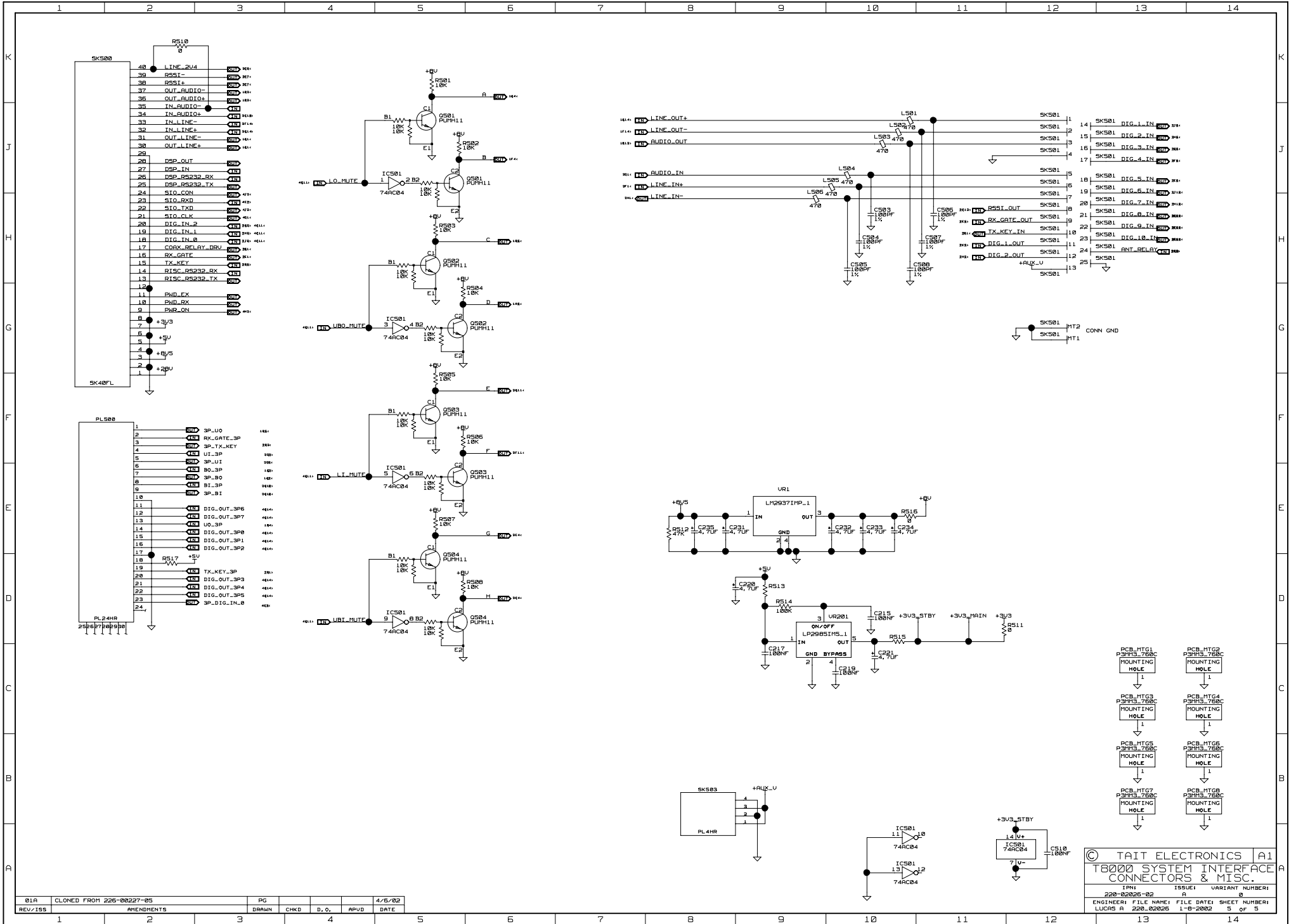
IPN:	ISSUE:	VARIANT NUMBER:
220-02026-02	A	0
ENGINEER:	FILE NAME:	FILE DATE:
LUCAS A	220-02026	2-8-2002

SHEET NUMBER:  
3 of 5



© TAIT ELECTRONICS | A1  
**T8000 SYSTEM INTERFACE**  
**DIGITAL**  
 IPN: 220-02226-02 | ISSUE: A | VARIANT NUMBER: 0  
 ENGINEER: LUCAS A | FILE NAME: 1 | FILE DATE: 2008-08-08 | SHEET NUMBER: 4 of 5

01A	CLONED FROM 226-02227-05	PC			4/8/02
REV/155	AMENDMENTS	DRAWN	CHKD	D.O.	APUD DATE



01A	CLONED FROM 226-00227-05	PC			4/6/02
REV/155	AMENDMENTS	DRAWN	CHKD	D.O.	APUD DATE

© TAIT ELECTRONICS		A1
TB000 SYSTEM INTERFACE CONNECTORS & MISC.		
IPN:	ISSUE:	VARIANT NUMBER:
220-02026-02	A	0
ENGINEER:	FILE NAME:	FILE DATE:
LUCAS A	220_02026	1-8-2002
		SHEET NUMBER:
		5 of 5

